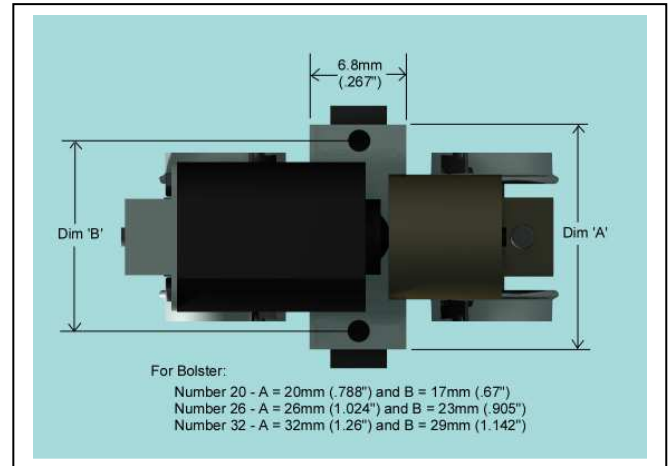
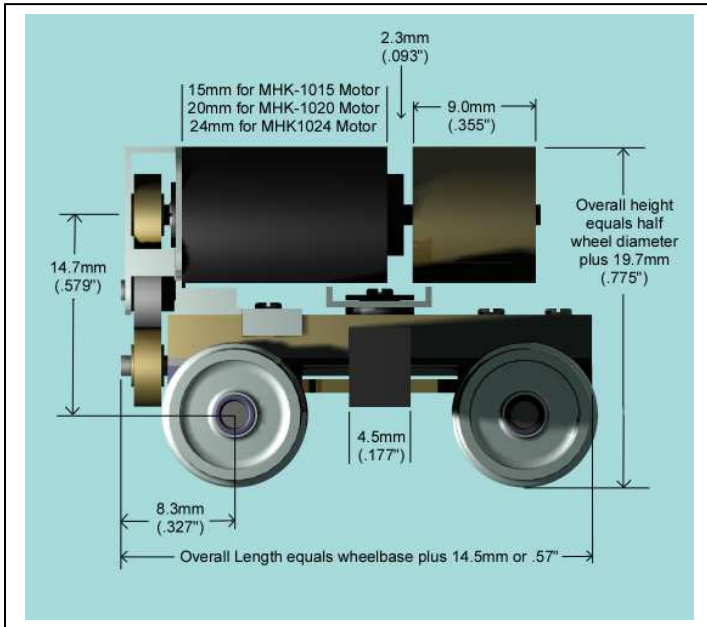


Hollywood Foundry

BullAnt Specification Sheet

The following drawings provide dimensions for a standard BullAnt with two axles. Dimensions are in millimetres followed by the equivalent inches in brackets. To obtain overall lengths for 3 or 4 axle BullAnts, add the intermediate wheelbases to the overall lengths given for the 2 axle unit.



Motor Specifications for Mashima MHK10 Series 5 pole motors.

| Value | 1015 | 1020 | 1024 |
|---------------------------|--------|--------|--------|
| Free running speed @ 12v | 14,800 | 15,000 | 16,500 |
| Current @ this speed | 55mA | 63mA | 72mA |
| Typical Max. speed @ 12V | 11,000 | 11,200 | 12,400 |
| Torque @ this speed, g/cm | 2.3 | 4.4 | 5.8 |
| Current @ this speed | 100mA | 140mA | 170mA |
| Power @ this speed | 0.26W | 0.51W | 0.74W |
| Maximum power output | 0.35W | 0.68W | 1.0W |
| Developed @ speed: | 7,500 | 7,500 | 8,300 |

Motor Notes

The standard motor fitted to a BullAnt is the 1015 type, unless you choose either of the two larger motors. The 1015 is recommended for light duty applications, and we suggest you evaluate your power requirements before choosing a motor. In general, the MHK-10** series are light duty motors and are not intended for heavy duty haulage.

Weight

A typical BullAnt weighs approximately 27 grams or just under 1 ounce. We recommend weighting your model to a value from 80 grams (2.8 ozs.) to a maximum of 350 grams (12.3 ozs.) for best performance.

DCC Considerations

The BullAnt is fitted with interference suppression components to make it CE compliant. It is recommended you leave these in place if connecting to a DCC decoder. The pickups can be isolated from the motor quite easily to suit DCC decoder wiring. The motor is grounded to the frame as part of the CE suppression method.

