



C/- P.O. Rhyll, Victoria, 3923.

## VICTORIAN RAILWAYS 'TP' VAN

### Prototype Notes

With the introduction of the tri-weekly "Fruit Flyer" service between Mildura and Melbourne in October 1958, three TP vans were converted from 16 ton T vans to allow fast transhipment of perishable commodities on this route. The TP vans were equipped with TT 30 bogies and three separate iced compartments were provided. A further two T vans were converted to TP configuration in 1967 but retained the single large iced compartment and this kit is representative of one of these vans. The dates of conversion and withdrawal of these vans are as follows:

TP 4 ex T381 5.67 withdrawn 2.84

TP 5 ex T356 5.67 withdrawn 5.84



*Model illustrated has been fitted with shunter's steps, handbrake and couplers (not included).*

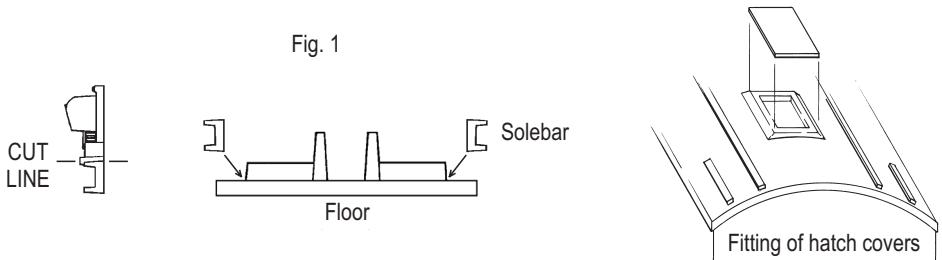
### Assembly

It is recommended that this kit be assembled with a liquid solvent such as MEK or Testor's.

Like all plastic kits the final result depends on the care taken in assembly. If all parts are dry fitted in position and filed or sanded as necessary to achieve a good fit before glueing in place a much better model will result.

Carefully read all instructions before commencing assembly. Remove all parts from sprues using a knife or razor saw. Clean up all parts with a flat file. Remove the moulding pips from the back of the side sills but do not remove locating lugs from the back of body ends.

Carefully cut the springs and axleboxes from the solebars and clean up the bottom of the solebar. Glue solebars to floor/underframe as shown in diagram. Make sure the ends of the floor and solebars are flush.

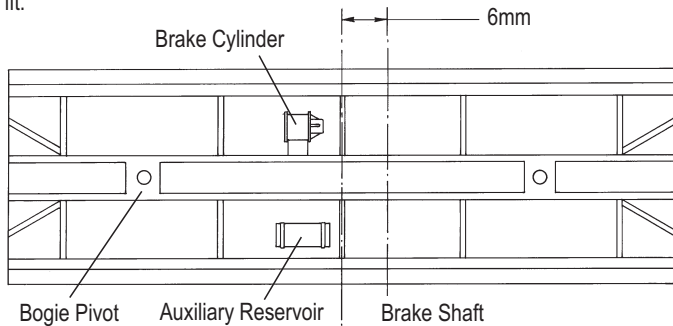


Carefully file the ends of the sides so that they are square and a good fit with the wagon end. Glue the sides to the ends to form an open box. Note that the sides fit between the ends. Ensure that the reinforcing straps on the sides and ends line up and the corners are square before putting the assembly aside to dry.

Check the fit of the roof and trim as necessary. When the roof fits properly glue it in place. Glue three hatch covers into place. Cut the square plastic rod into two 21mm lengths. Glue rods to mounting blocks on wagon ends with one end on the drain outlet and other end to the right of the coupler. See photo.

Trim the floor to a good fit in the body and then glue in place.

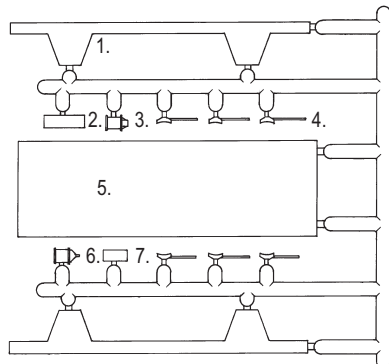
Using the self tapping screws provided, fix the bogies to the underframe in the positions shown. Cement the brake cylinder to its base and cement this assembly and the auxiliary reservoir to the underframe. The kit is designed to use Kadee No 5 or No 58 couplers which will need to have the "ears" removed from the sides of the draft box to fit.



If it is desired to further detail the wagon, etched brass shunter's steps and hand brake details are available in Steam Era Models kit E5.

**Key for Underframe Components**

- 1. Solebar
- 2. Auxiliary reservoir
- 3. Brake cylinder
- 4. Brake shoes (not used)
- 5. Floor
- 6. Brake cylinder (not used)
- 7. Brake cylinder base



## Painting and Decals

Overall passenger car red with a brown roof and a black underframe and bogies.

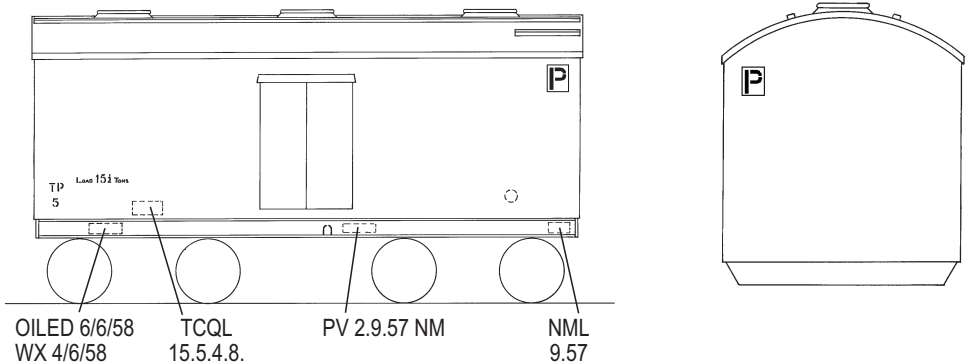
Suggested paints: Body: SEM Pass Car Red  
U/frame: SEM Black Self Etch Primer or Humbrol Matt Black  
Roof: Humbrol Matt Dark Earth

## To Apply Decals

1. Trim decals close to lettering to remove excess film.
2. Immerse in water for ten to fifteen seconds, then set aside on a tissue until decal straightens out.
3. Slide decal into position. If it is necessary to adjust the final position, use a small brush that has been dipped in water.
4. Use a tissue to soak up excess water.
5. The use of a decal setting agent such as Solvaset is recommended to assist decals in snuggling down over rivets etc.
6. A flat finish such as DDV or Estapol matt applied to the entire model will give a uniform dull finish.

NOTE: DECALS ADHERE BEST TO A GLOSS SURFACE.

### Pre 1972 style. Code & Number 5"



### Post 1972 style. Code & Number 7"

